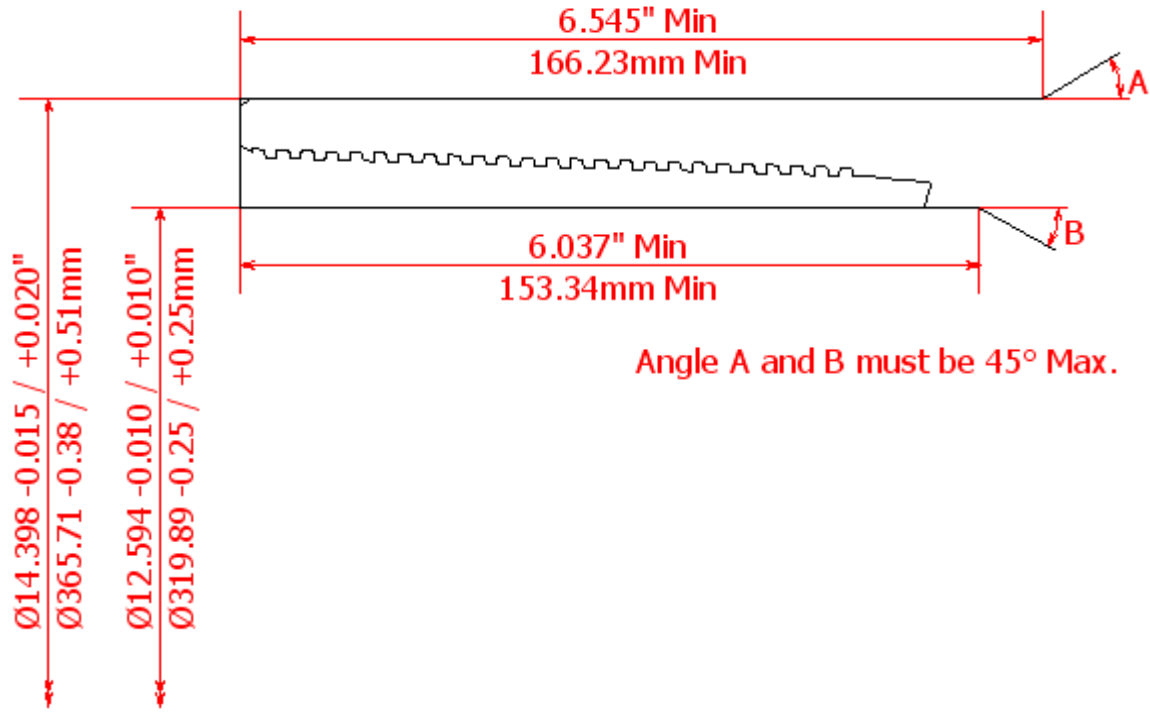
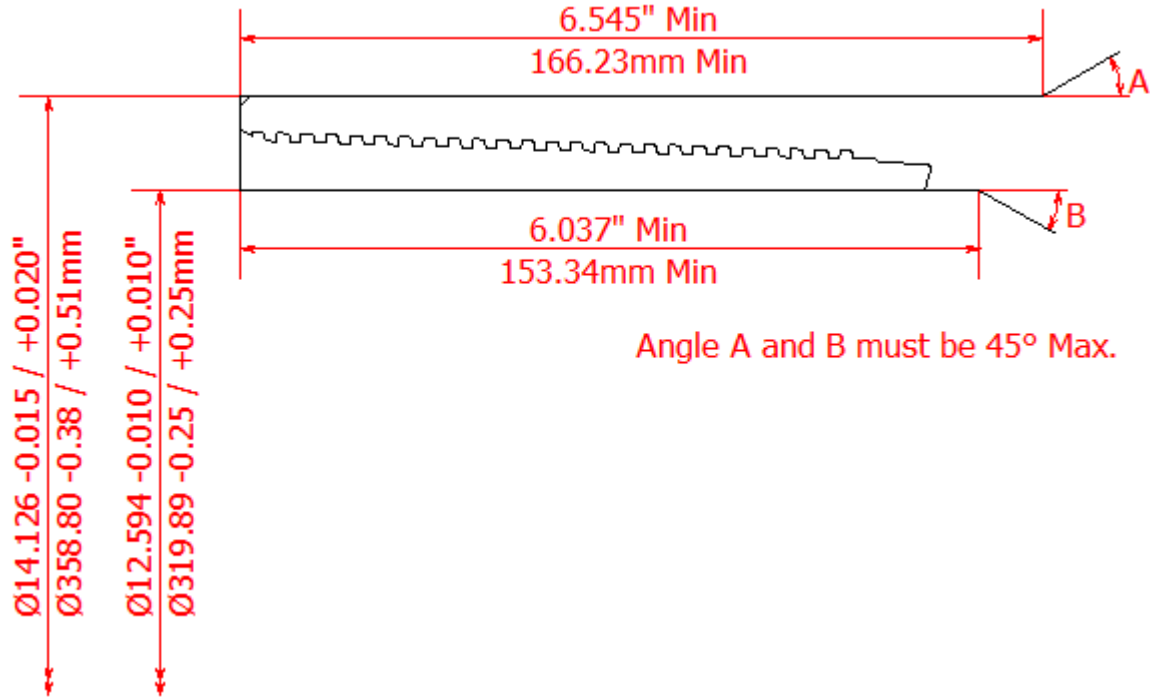


BLANKING DIMENSIONS FOR 13 3/8" x 86lb/ft (339.72mm x 15.88mm WT)

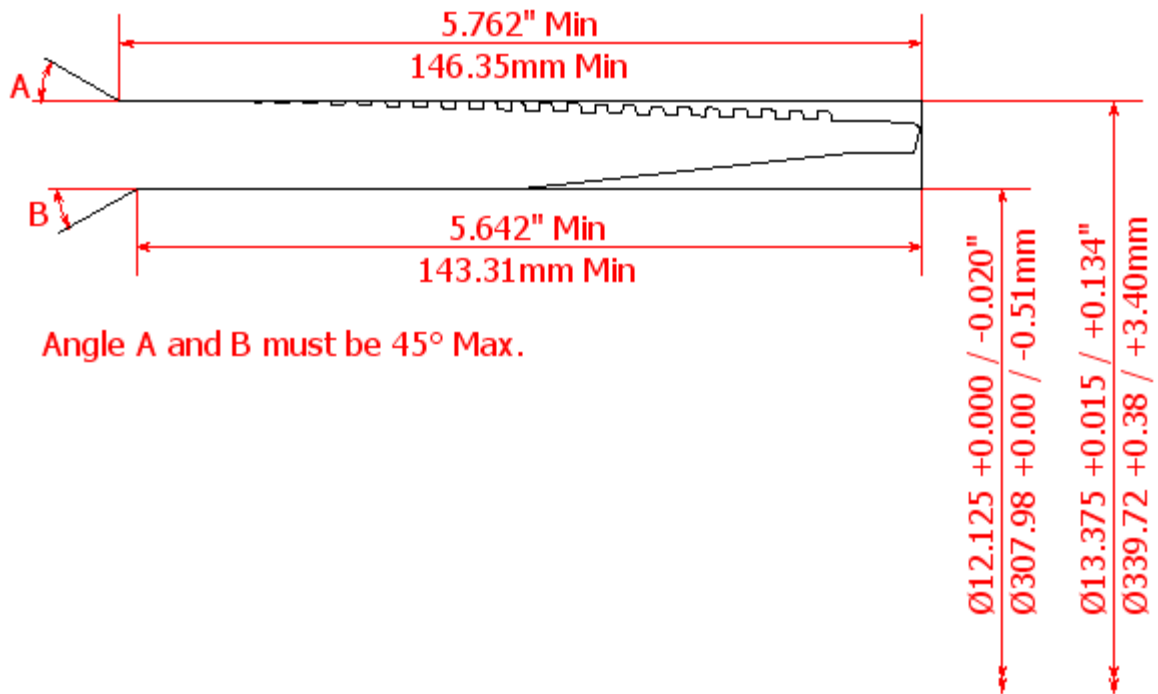
HSC COUPLING (REGULAR OD)



HSC COUPLING (SPECIAL CLEARANCE OD)



HSC PIN



Angle A and B must be 45° Max.