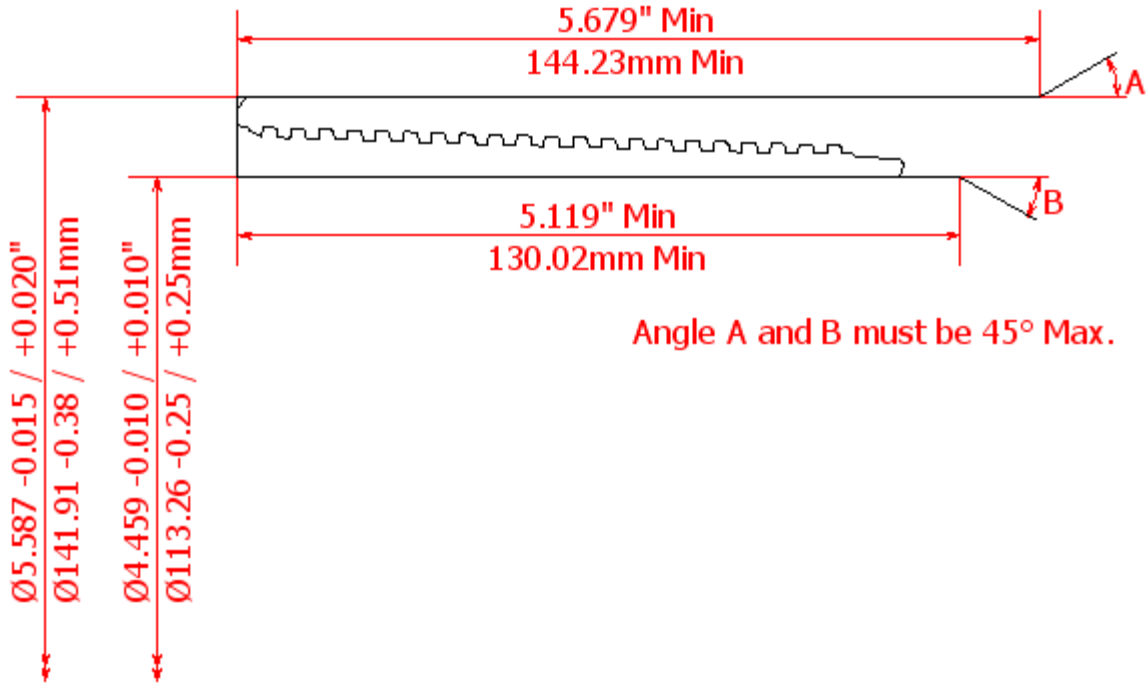
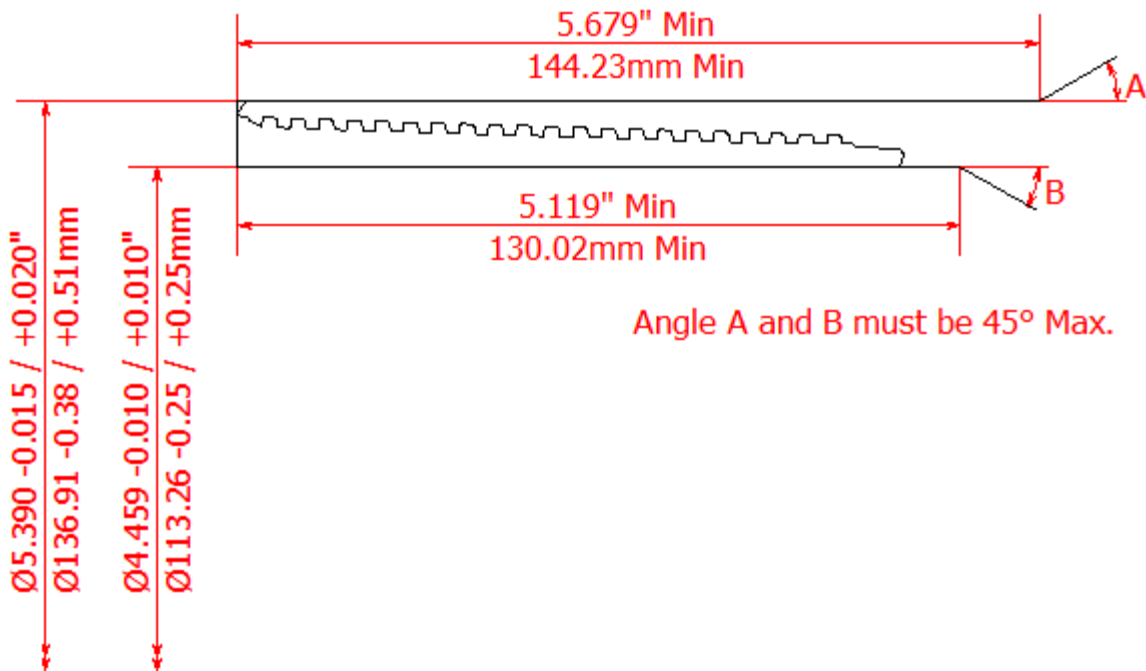


**BLANKING DIMENSIONS FOR 5" x 15.0lb/ft (127.0mm x 7.52mm WT)**

**HSC COUPLING (REGULAR OD)**



**HSC COUPLING (SPECIAL CLEARANCE OD)**



**HSC PIN**

