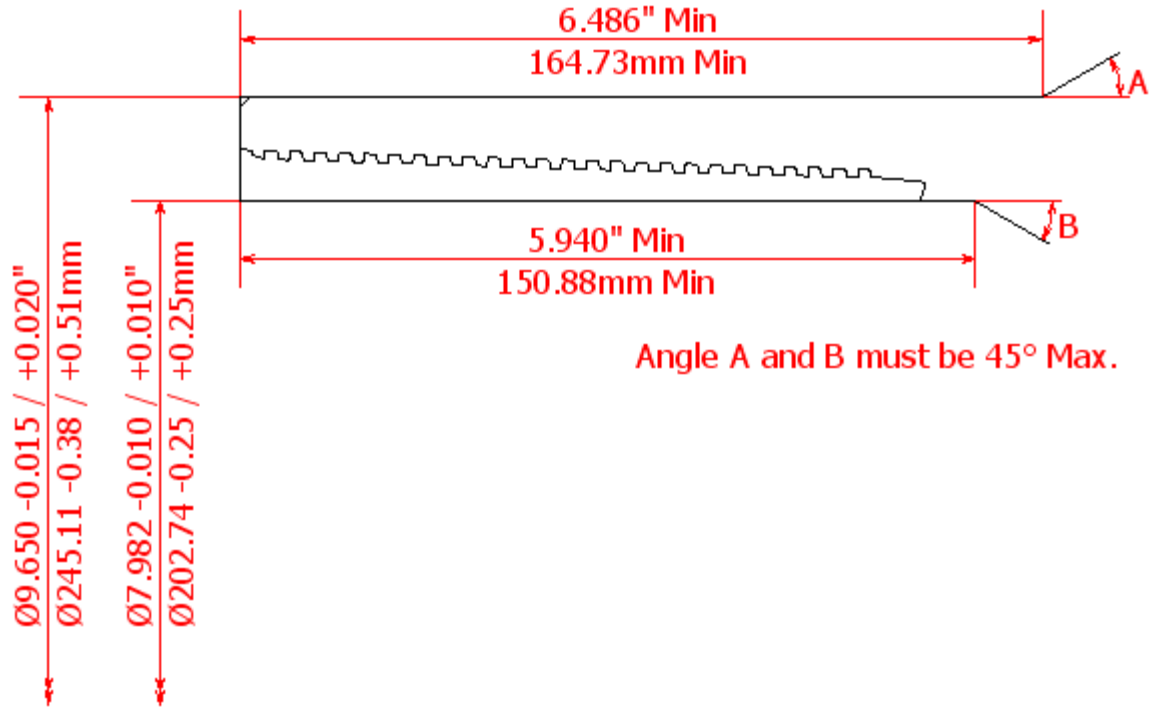
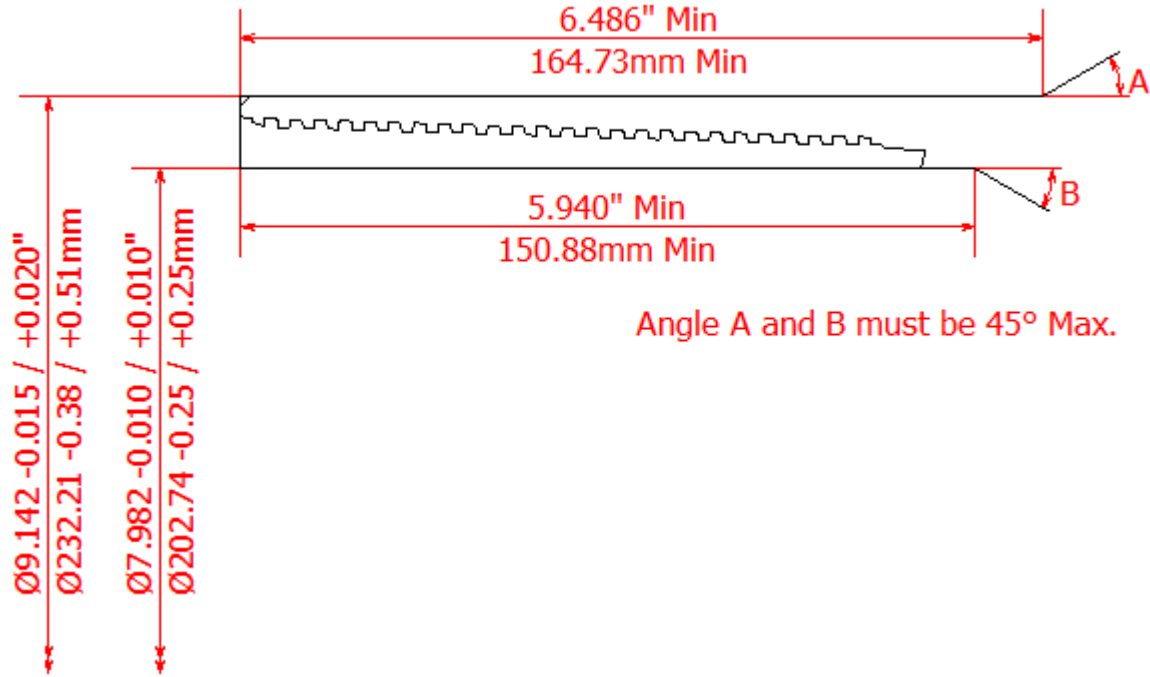


**BLANKING DIMENSIONS FOR 8 5/8" x 52lb/ft (219.08mm x 15.11mm WT)**

**HSC COUPLING (REGULAR OD)**



**HSC COUPLING (SPECIAL CLEARANCE OD)**



**HSC PIN**

