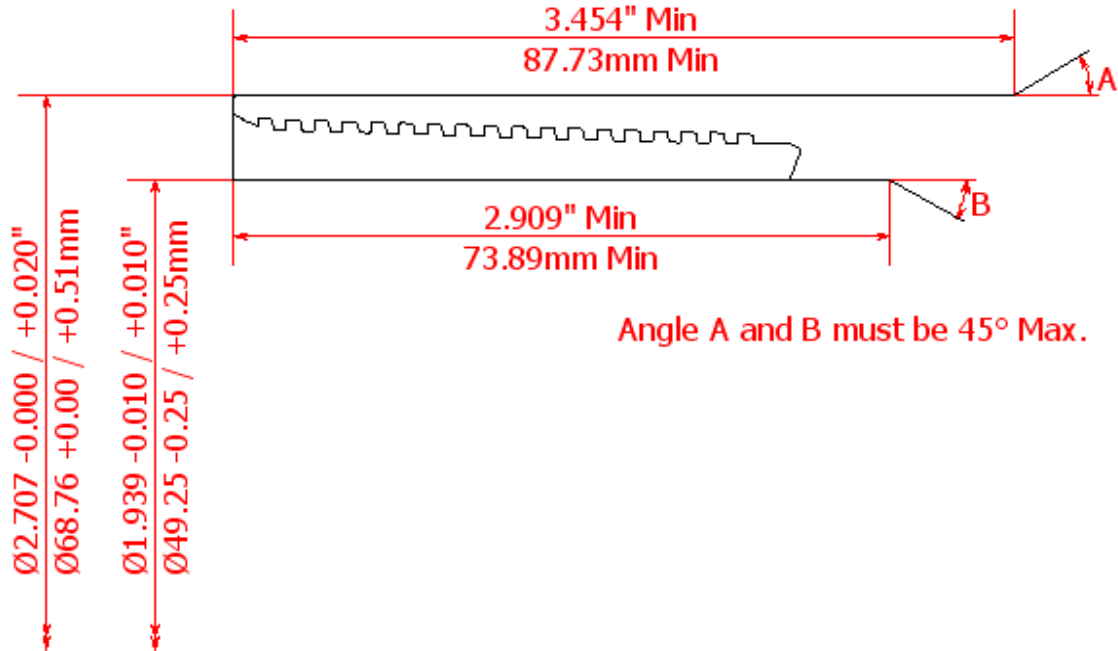


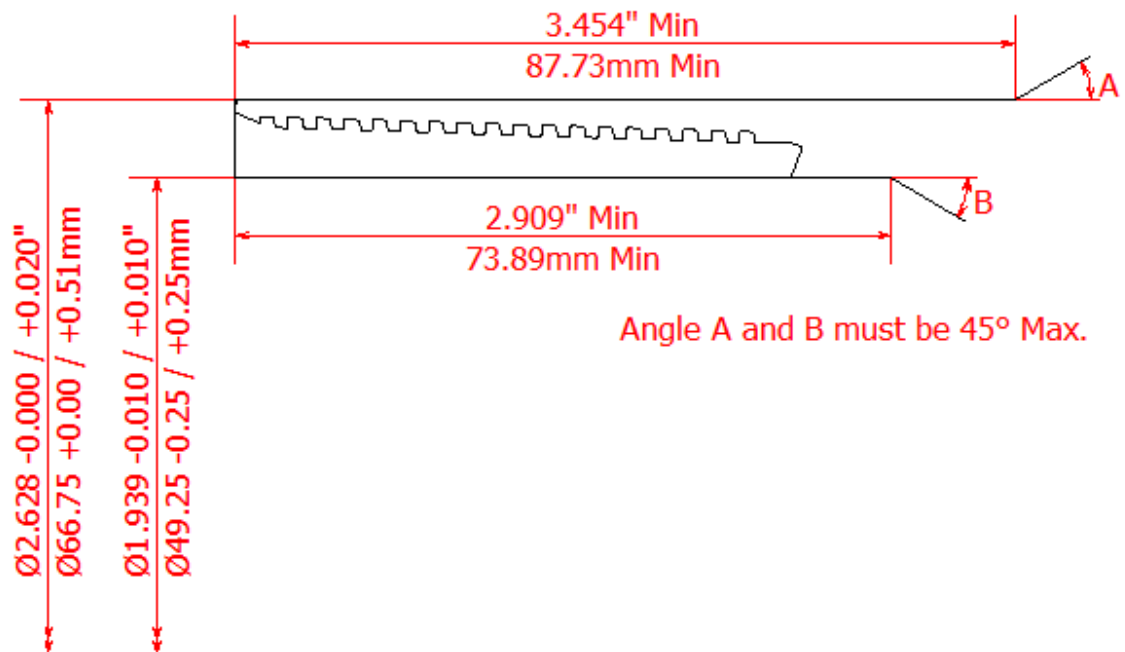
BLANKING DIMENSIONS FOR 2 3/8" x 4.6lb/ft (60.32mm x 4.83mm WT)

HSC COUPLING (REGULAR OD)



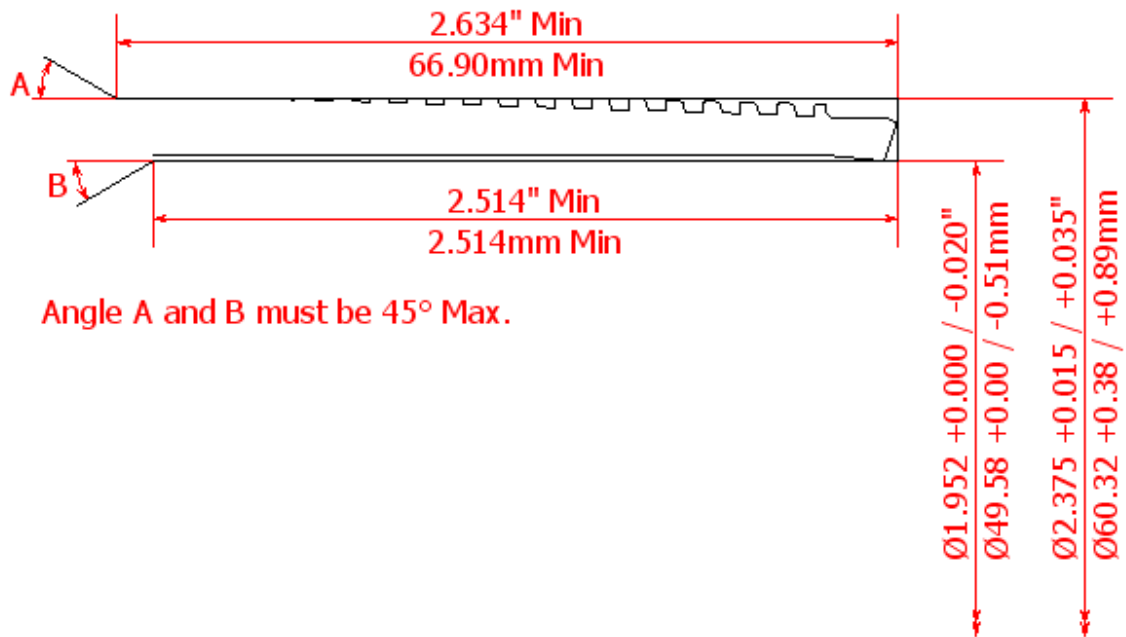
Angle A and B must be 45° Max.

HSC COUPLING (SPECIAL CLEARANCE OD)



Angle A and B must be 45° Max.

HSC PIN



Angle A and B must be 45° Max.