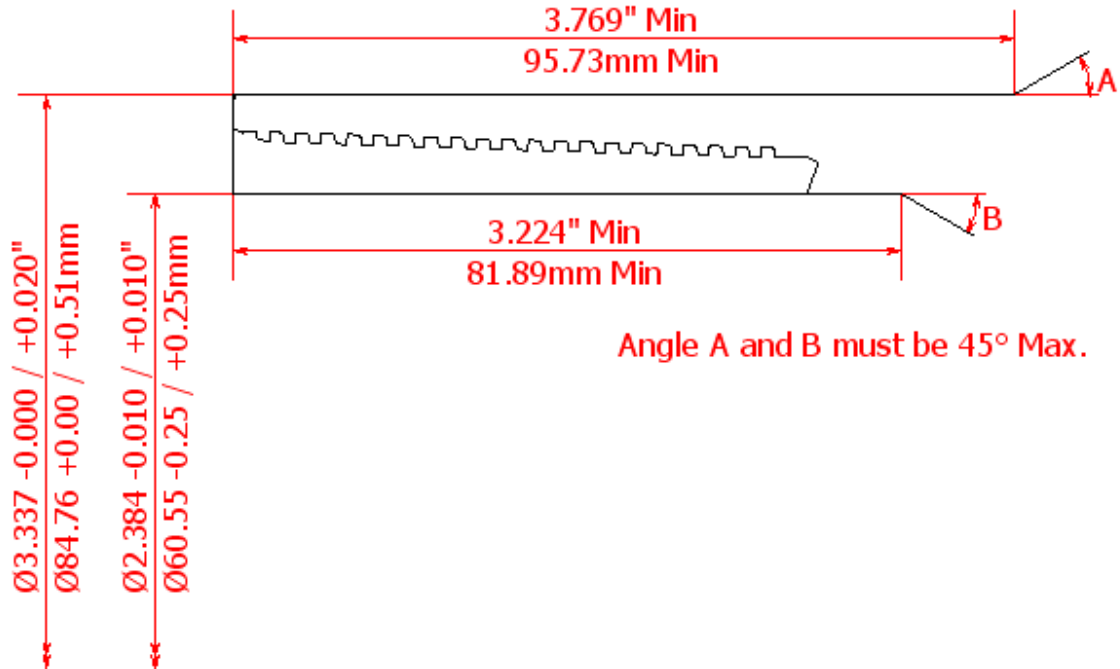
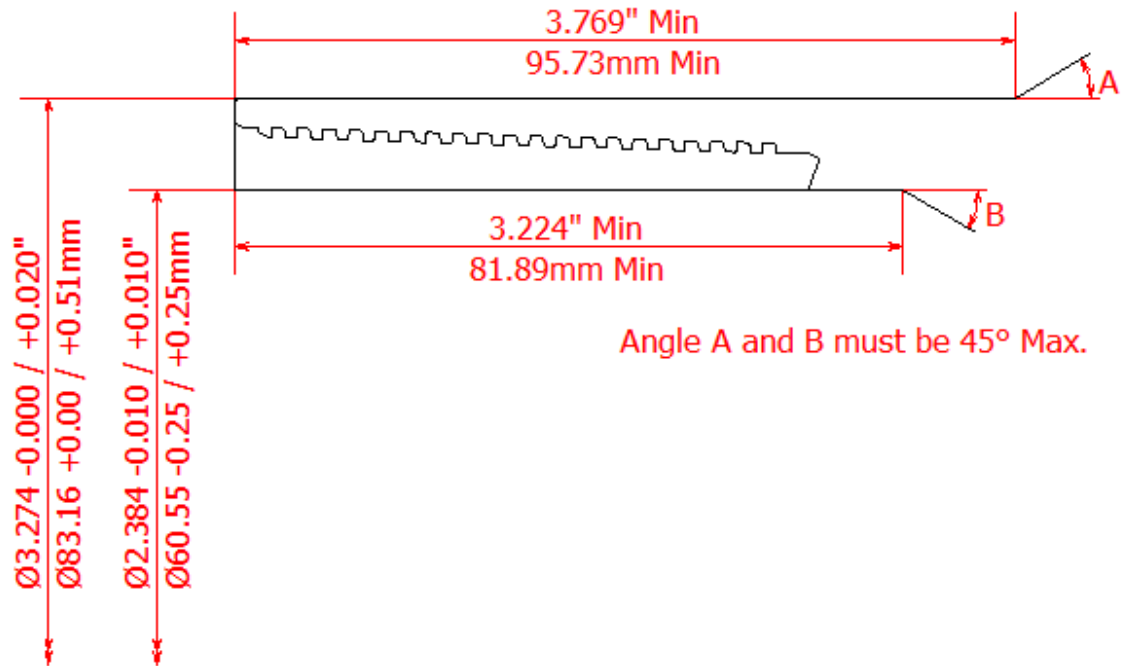


**BLANKING DIMENSIONS FOR 2 7/8" x 7.8lb/ft (73.03mm x 7.01mm WT)**

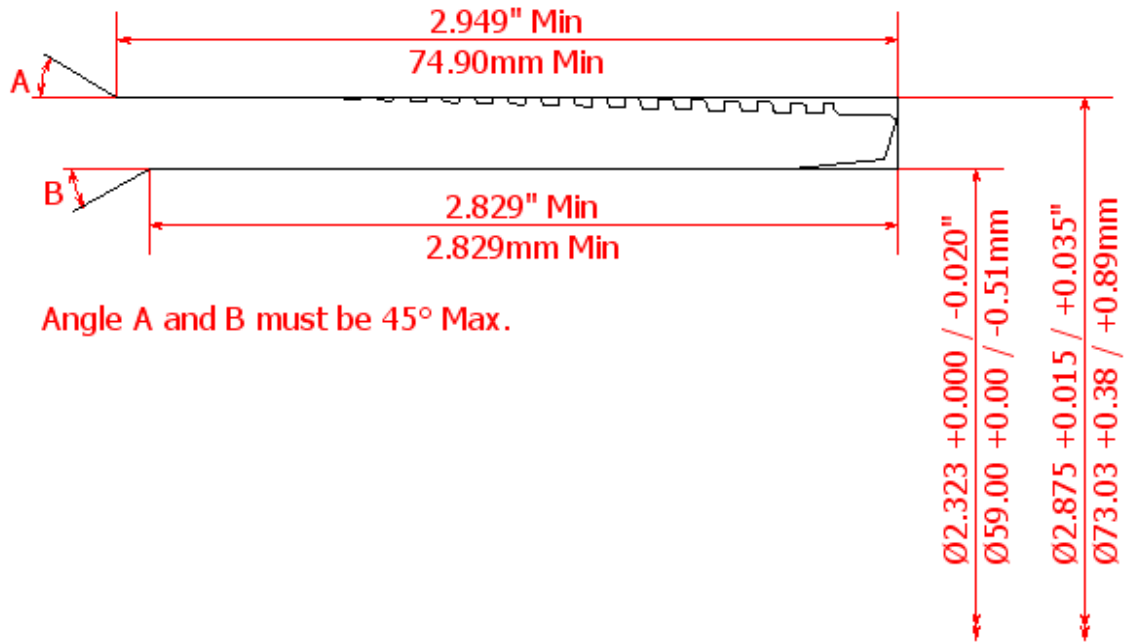
**HSC COUPLING (REGULAR OD)**



**HSC COUPLING (SPECIAL CLEARANCE OD)**



**HSC PIN**



Angle A and B must be 45° Max.