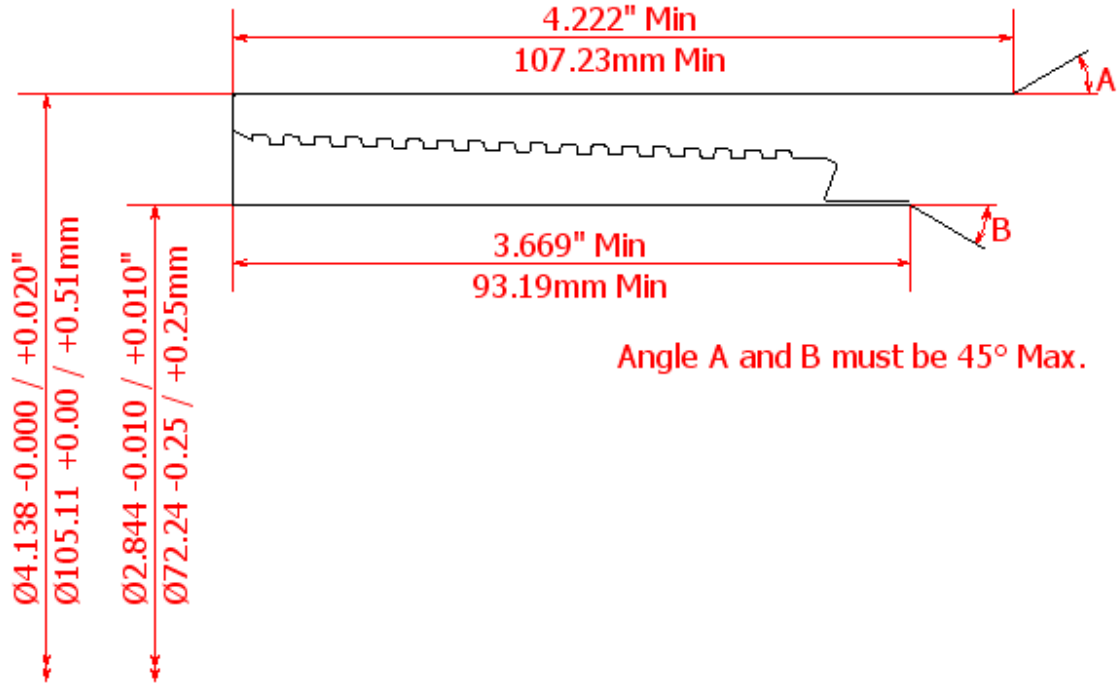
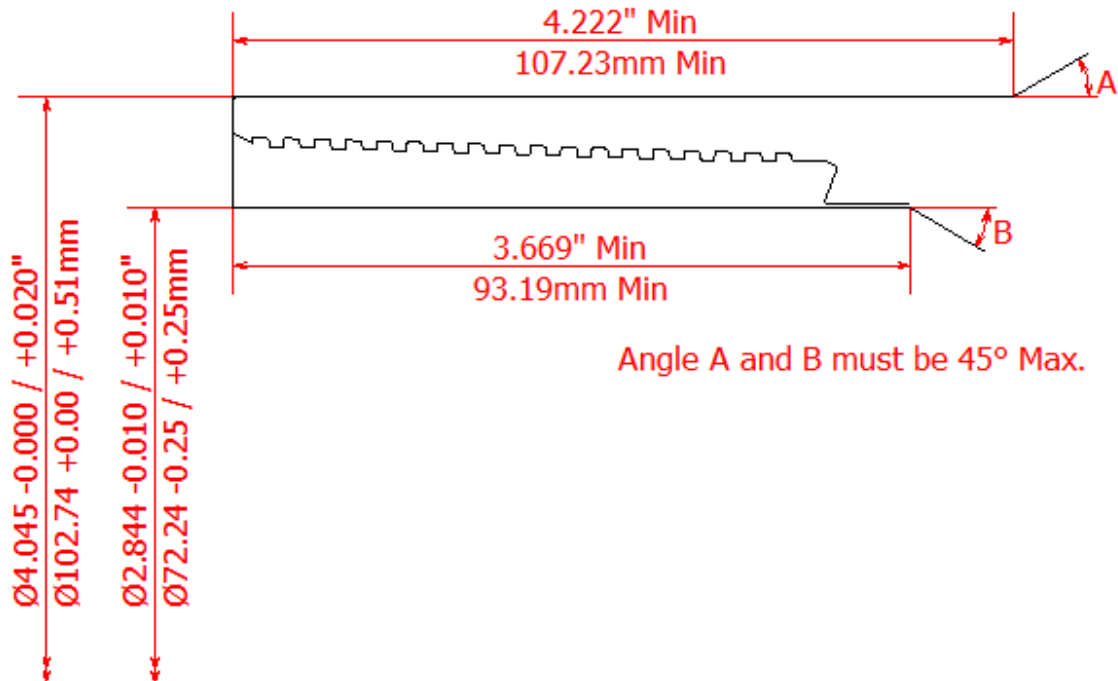


**BLANKING DIMENSIONS FOR 3 1/2" x 13.7lb/ft (88.9mm x 10.49mm WT)**

**HSC COUPLING (REGULAR  
OD)**



**HSC COUPLING (SPECIAL CLEARANCE OD)**



**HSC PIN**

