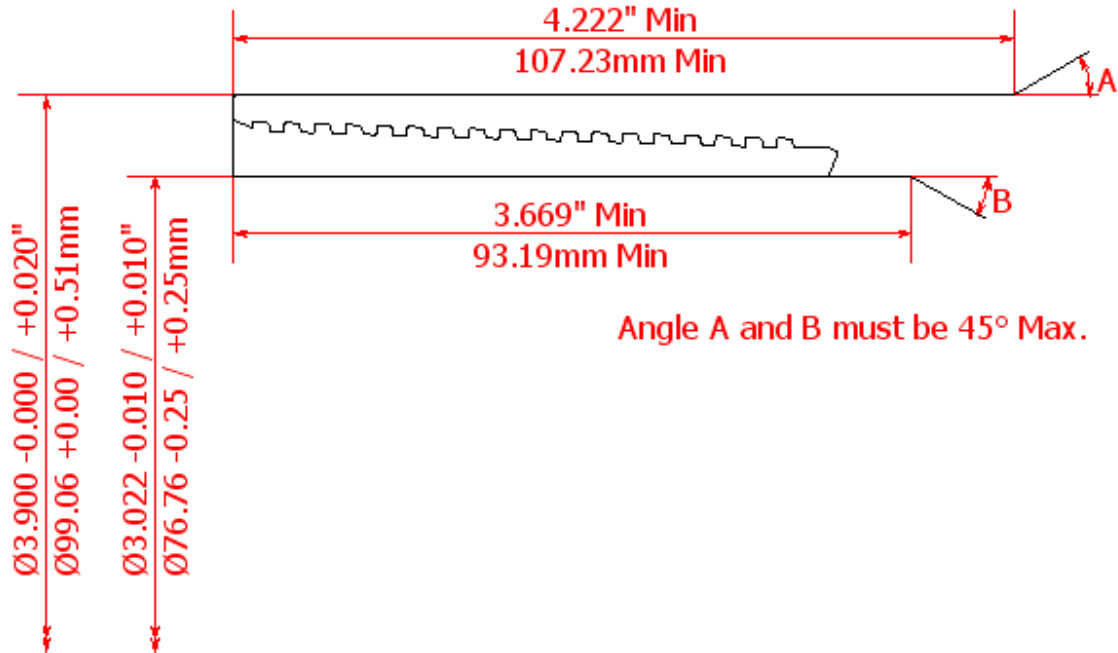


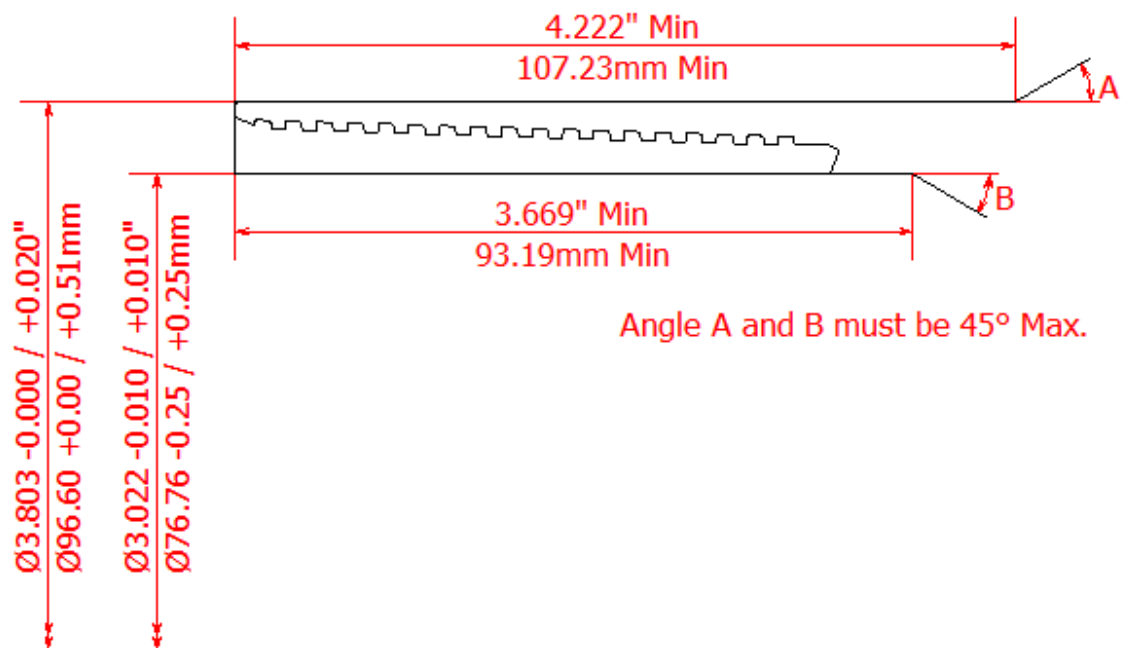
**BLANKING DIMENSIONS FOR 3 1/2" x 9.2lb/ft (88.9mm x 6.45mm WT)**

**HSC COUPLING (REGULAR OD)**



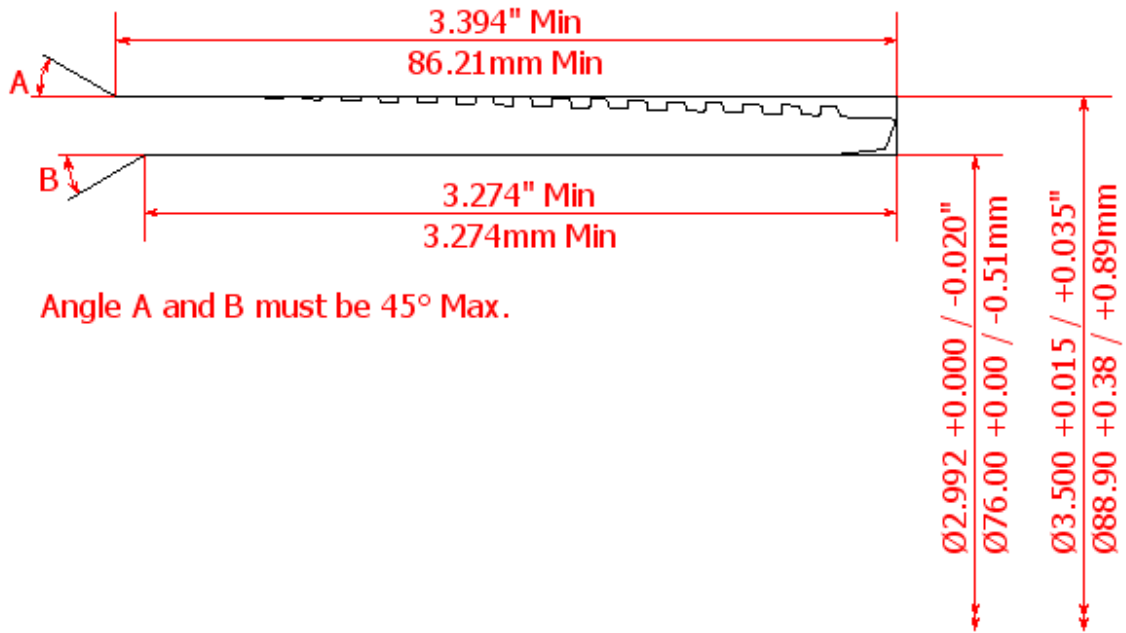
Angle A and B must be 45° Max.

**HSC COUPLING (SPECIAL CLEARANCE OD)**



Angle A and B must be 45° Max.

**HSC PIN**



Angle A and B must be 45° Max.