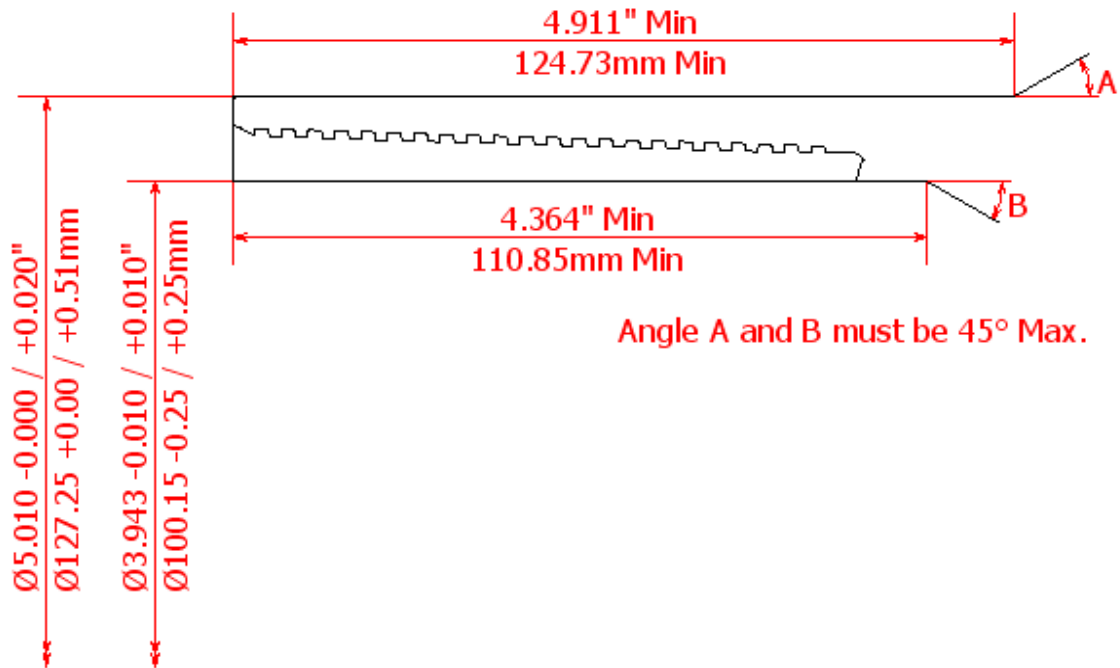
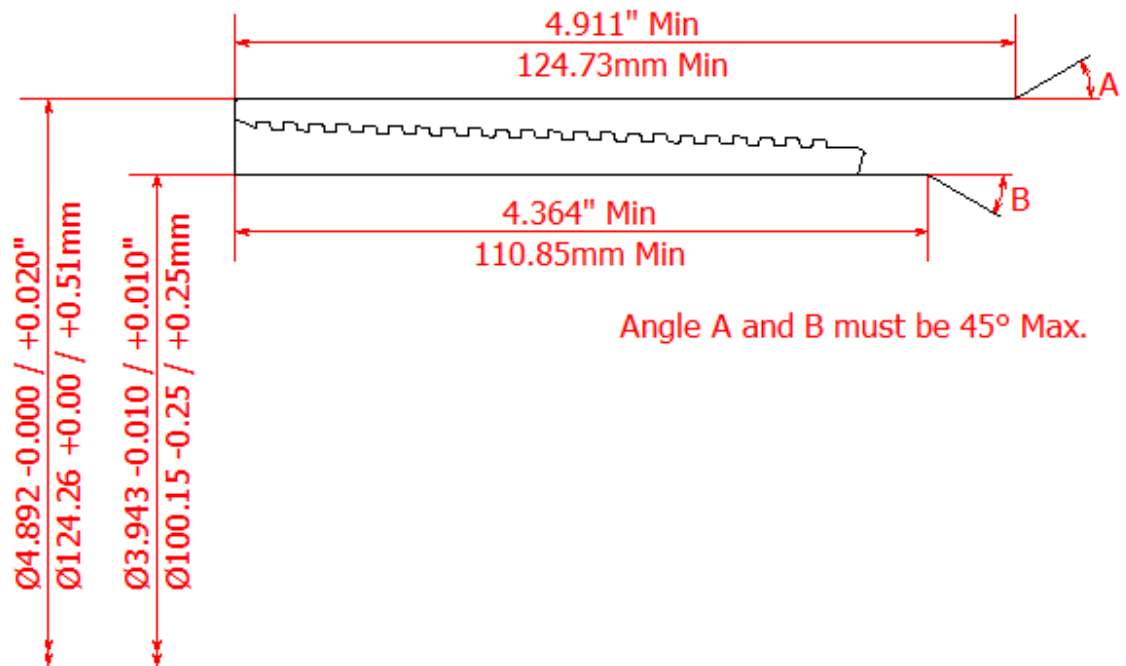


**BLANKING DIMENSIONS FOR 4 1/2" x 15.1lb/ft (114.3mm x 8.56mm WT)**

**HSC COUPLING (REGULAR OD)**



**HSC COUPLING (SPECIAL CLEARANCE OD)**



### HSC PIN

