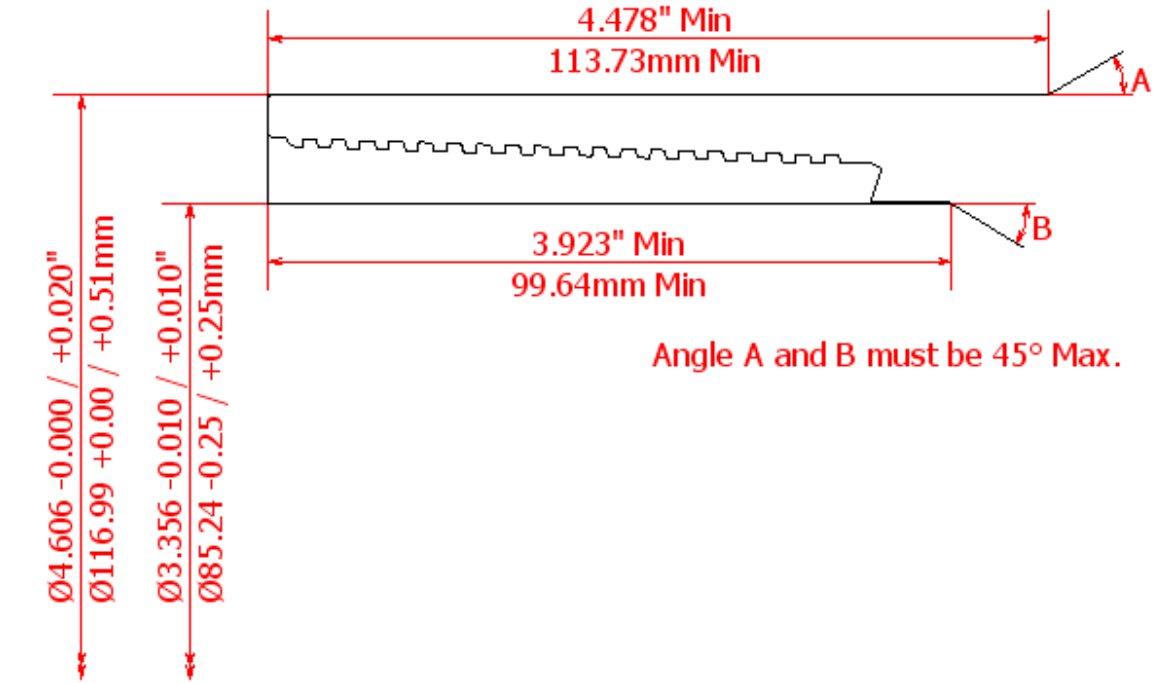
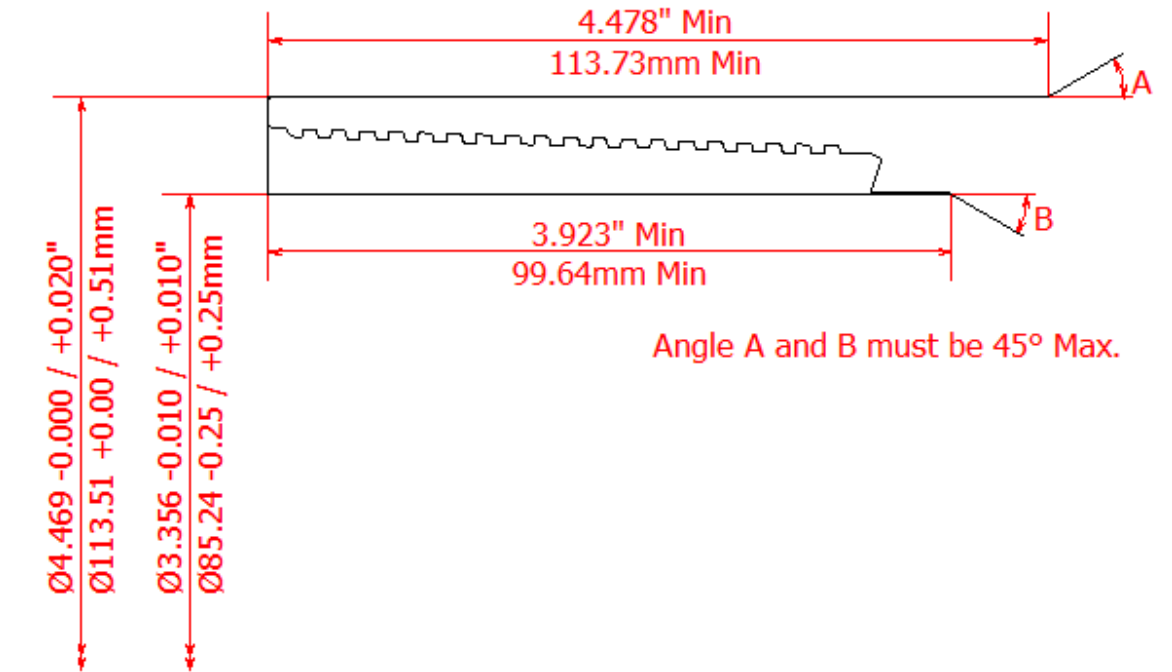


BLANKING DIMENSIONS FOR 4" x 14.8lb/ft (101.6mm x 9.65mm WT)

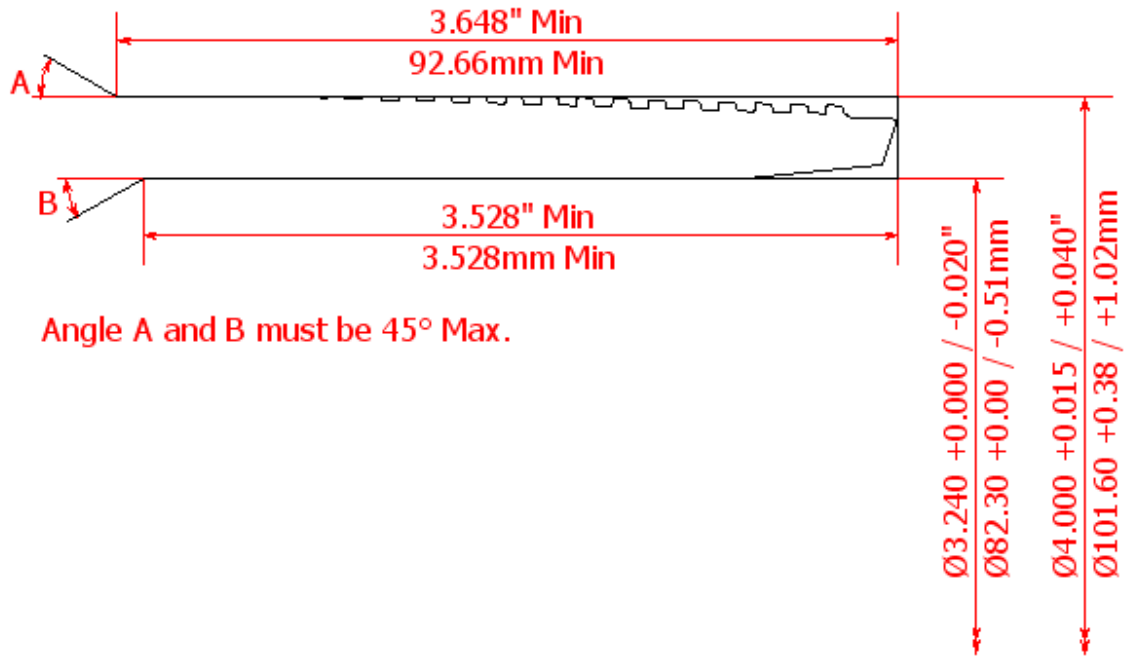
HSC COUPLING (REGULAR OD)



HSC COUPLING (SPECIAL CLEARANCE OD)



HSC PIN



Angle A and B must be 45° Max.