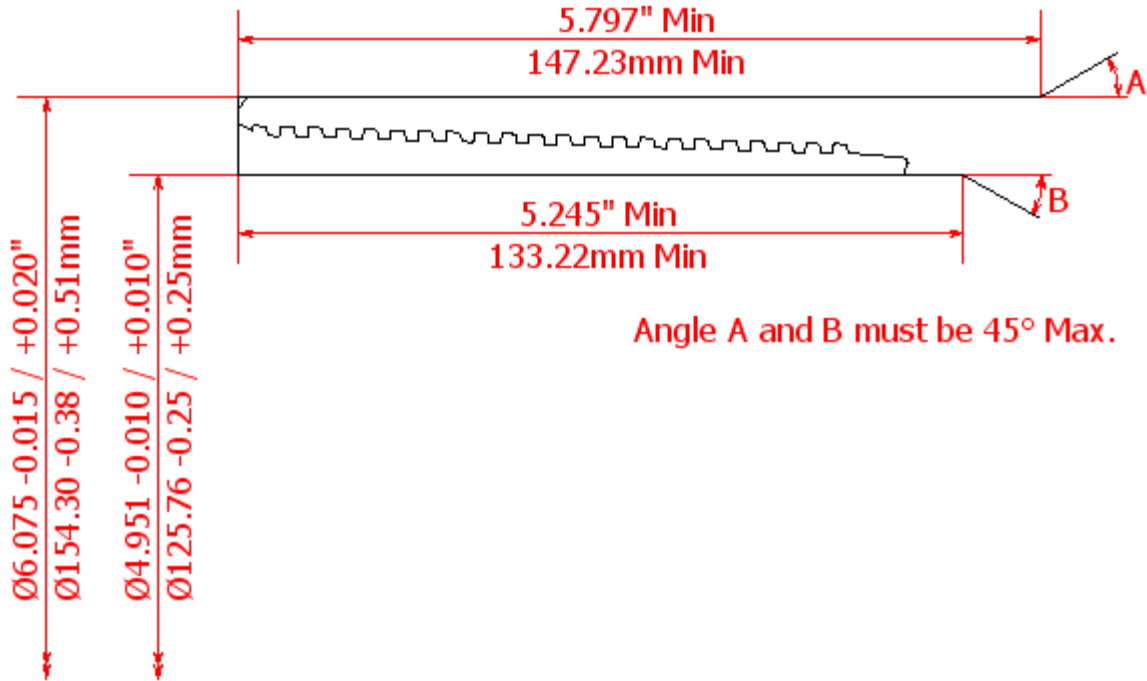


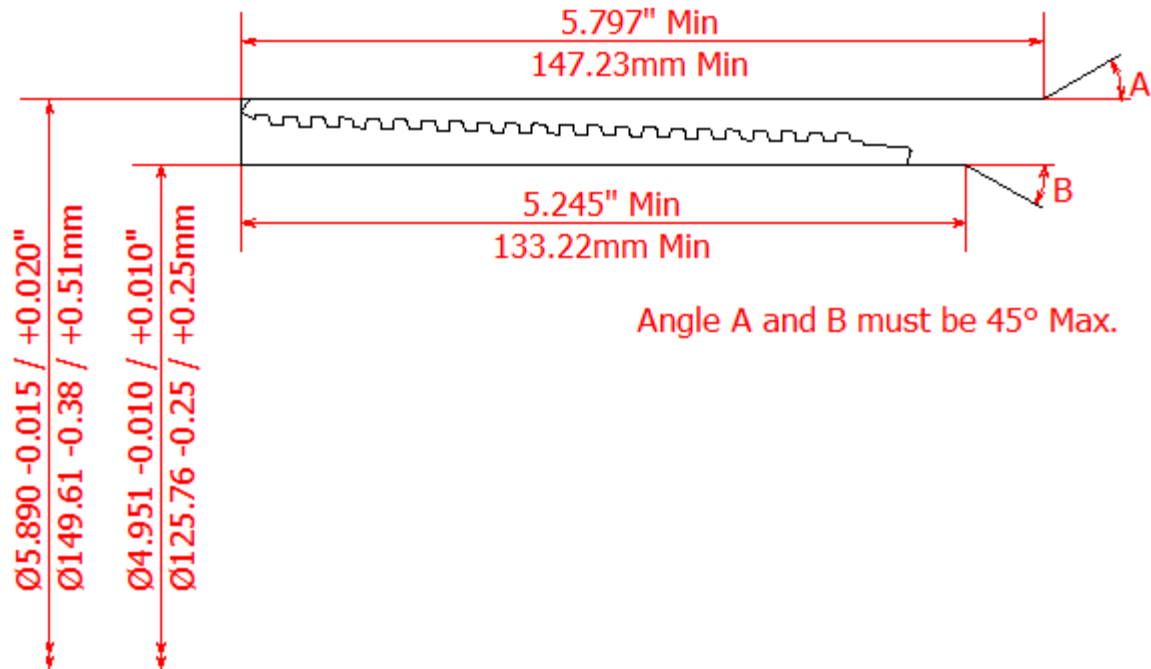
**BLANKING DIMENSIONS FOR 5 1/2" x 17.0lb/ft (139.7mm x 7.72mm WT)**

**HSC COUPLING (REGULAR OD)**



Angle A and B must be 45° Max.

**HSC COUPLING (SPECIAL CLEARANCE OD)**



Angle A and B must be 45° Max.

**HSC PIN**

