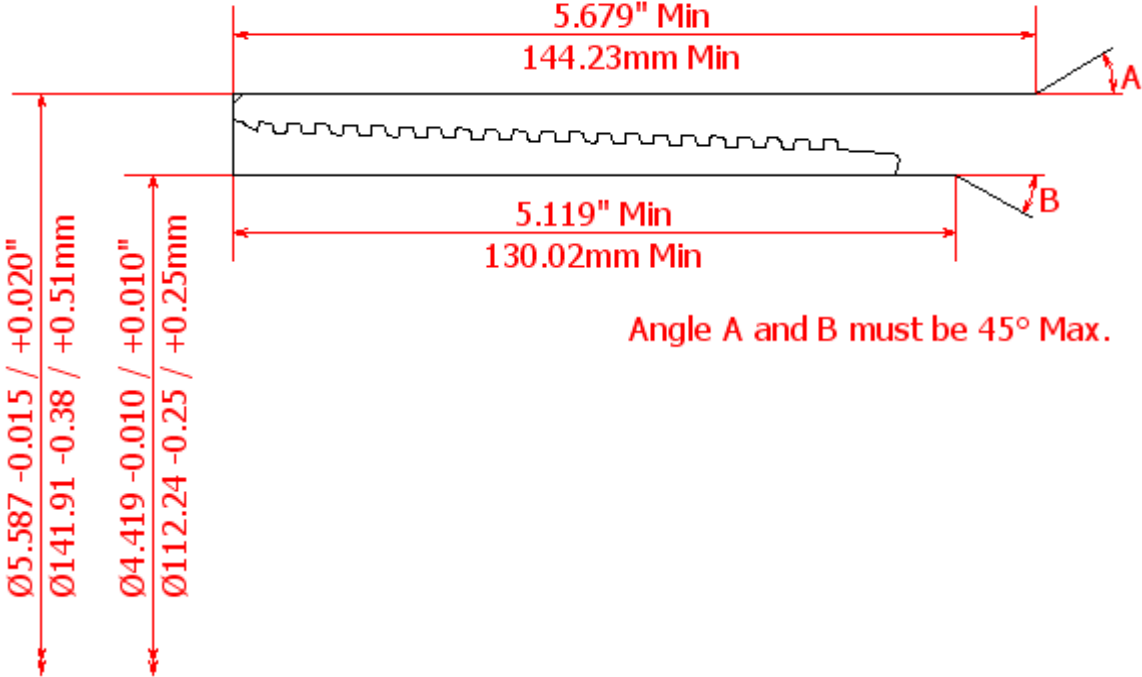


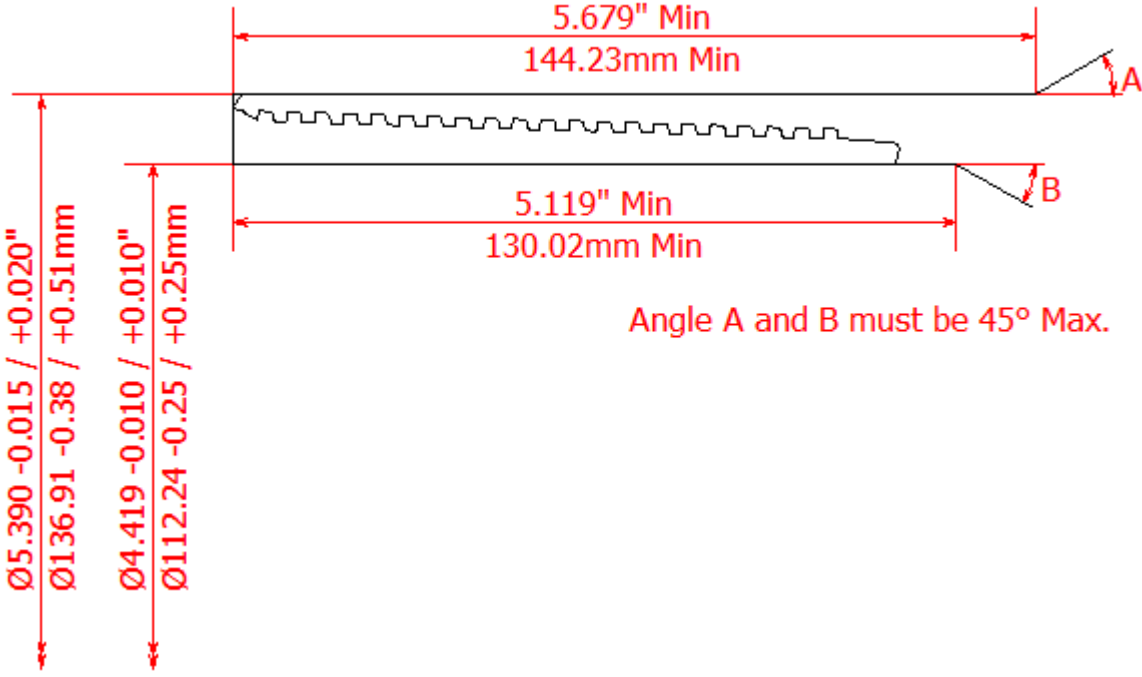
BLANKING DIMENSIONS FOR 5" x 18.0lb/ft (127.0mm x 9.19mm WT)

HSC COUPLING (REGULAR OD)



Angle A and B must be 45° Max.

HSC COUPLING (SPECIAL CLEARANCE OD)



Angle A and B must be 45° Max.

HSC PIN

