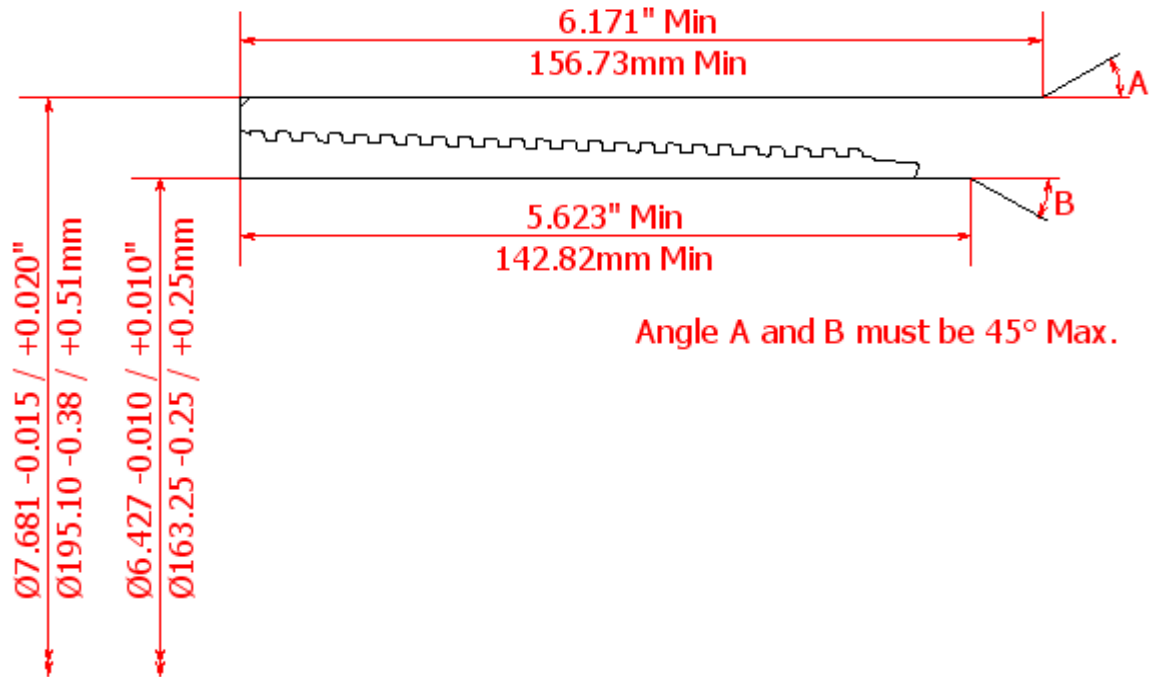
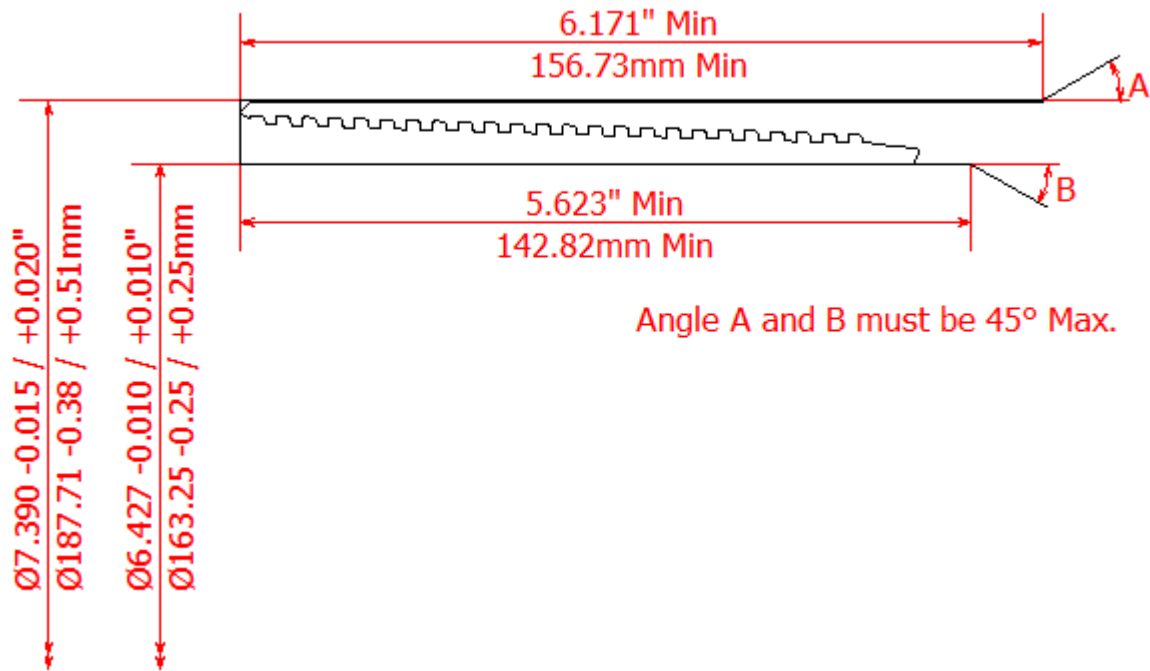


**BLANKING DIMENSIONS FOR 7" x 23lb/ft (177.8mm x 8.05mm WT)**

**HSC COUPLING (REGULAR OD)**



**HSC COUPLING (SPECIAL CLEARANCE OD)**



**HSC PIN**

